



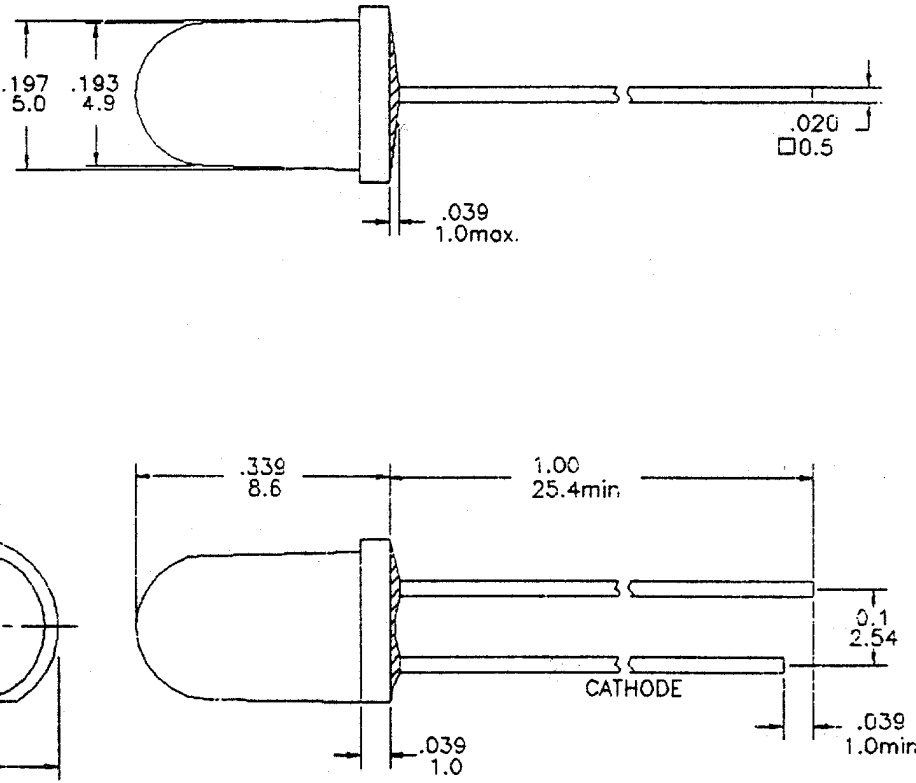
**American Opto Plus**  
**L-5V3MET**  
**5mm Dia LED LAMP -WATER CLEAR**  
**(TS Chip Ultra Bright Red)**

**MAIN FEATURES**

- ◆ 5.0mm DIA LED LAMP
- ◆ POPULAR T-1 ¼, 1" LEAD
- ◆ I.C. COMPATABLE
- ◆ LOW POWER CONSUMPTION

**PACKAGE DIMENSIONS**

Notes: All Tolerance Shall Be ±0.01" (0.25mm)



**SELECTION GUIDE AND APPLICATION INFORMATION ( RATINGS AT 25°C AMBIENT )**

Part No.	Chip		Lens Color	Wave	Absolute Maximum Ratings				Electro-Optical Characteristics					View			
	Raw	Emitted			Length	$\Delta\lambda$	Pd	If	If (Peak)	Vf(V)			If (Rec)		Iv (mcd)		Angle
	Material	Color								Min.	Typ.	Max.			Min.	Typ.	
L-5V3MET	AllInGaP	Ultra Bright Red	Red	630		100	30	120		2.2	2.6	20	4300	6000	35		
	TS Chip		Transparent														

**ABSOLUTE MAXIMUM RATING: (Ta=25°C)**

**ELECTRO-OPTICAL CHARACTERISTICS: (Ta=25°C)**

Reverse Voltage	: 5 Volt
Reverse Current ( Vr = 5V )	: 100µA
Operating Temperature Range	: -20°C to +80°C
Storage Temperature Range	: -40°C to +100°C
Lead Soldering Temperature	: 260C for 5 Seconds
(1.6mm(1/16inch) from body)	

Para meter Description	Symbol	Unit
Spectral Line half-Width	$\Delta\lambda$	nm
Power Dissipation	Pd	mW
Peak Forward Current (Duty 1/10,@KHz)	If(Peak)	mA
Recommended Operation Current	If(Rec)	mA
Average Luminous intensity (If = 10mA)	Iv	mcd